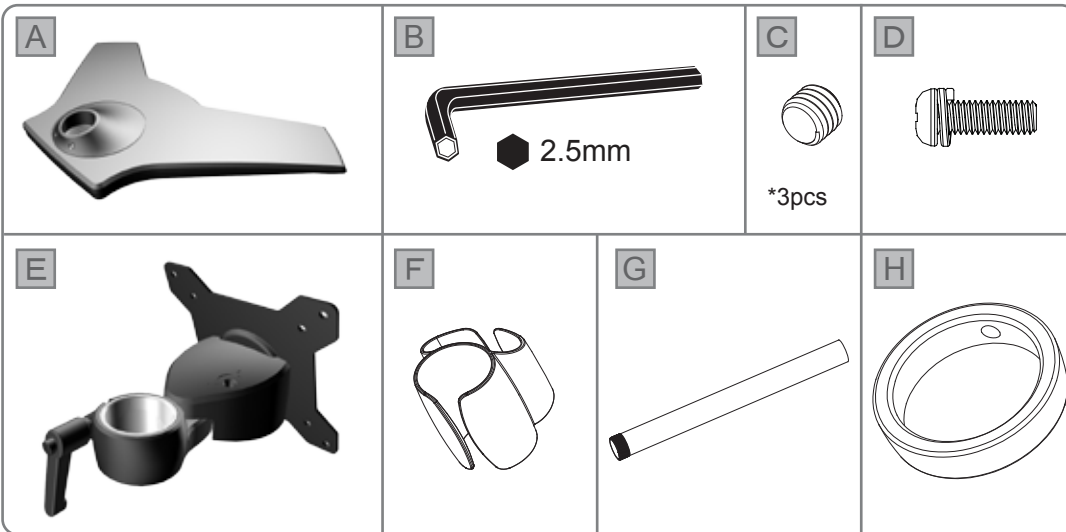
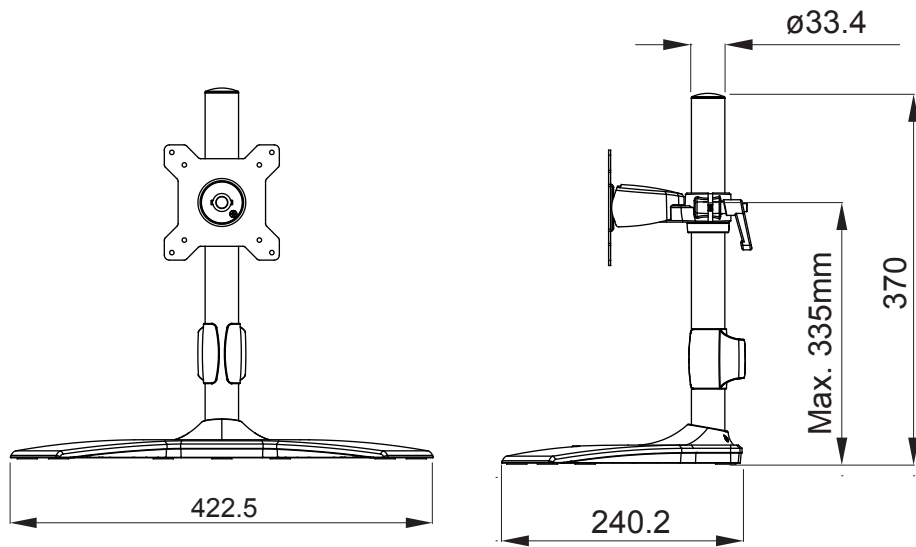


Enclosed Parts



Physical Dimensions (mm) (Max.)



Installation Process

