



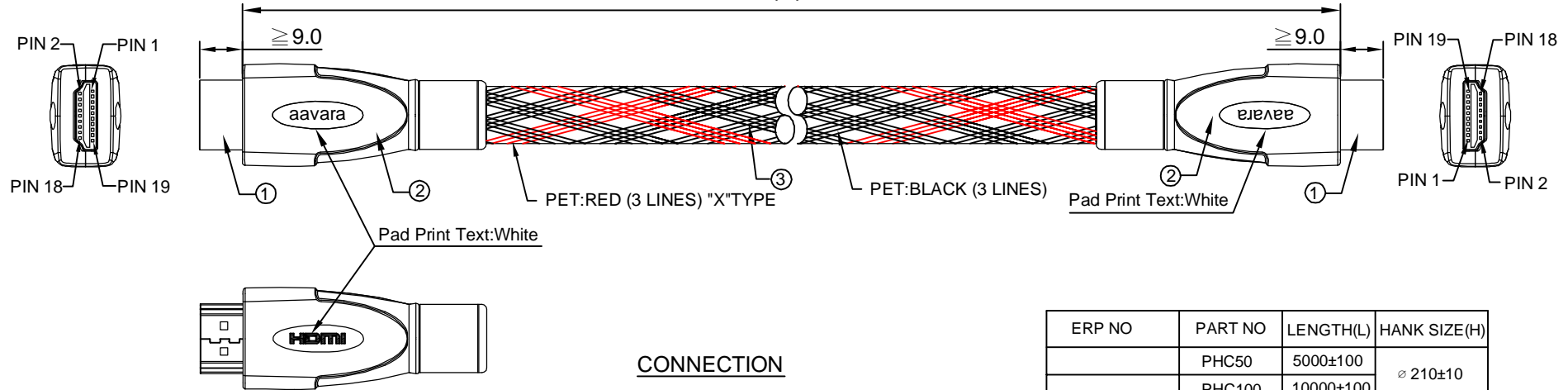
THESE DRAWINGS AND SPECIFICATIONS ARE THE PROPERTY OF **Aavara Innovation Corp.** AND SHALL NOT BE REPRODUCED COPIED OR USED IN ANY MANNER WITHOUT THE PRIOR WRITTEN CONSENT OF **Aavara Innovation Corp.**

ERP Ref. No.

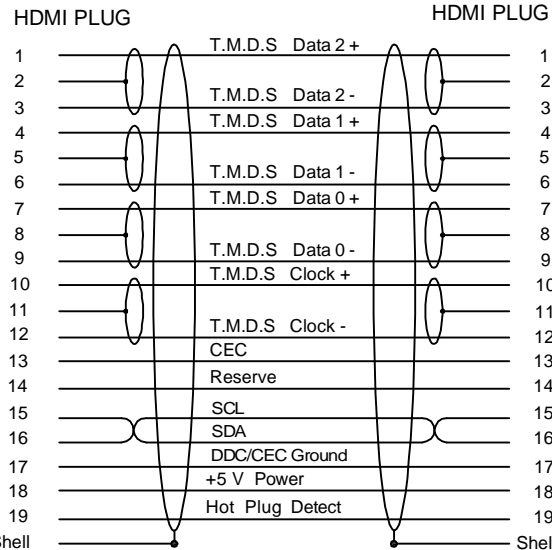
Sheet;
1 / 1

DWG No.
L20081024-01

(L)



CONNECTION



ERP NO	PART NO	LENGTH(L)	HANK SIZE(H)
	PHC50	5000±100	∅ 210±10
	PHC100	10000±100	

HANK SIZE



Package:1PC/BOX+BLISTER

ELECTRIC TESTING:

- INSULATION RESISTANCE: $\geq 10 \text{ M } \Omega$ L $\geq 10\text{M}$
 $\geq 20 \text{ M } \Omega$ L $\leq 5\text{M}$
- CONDUCTOR RESISTANCE: $\leq 10 \text{ } \Omega$ L $\geq 10\text{M}$
 $\leq 5 \text{ } \Omega$ L $\leq 5\text{M}$
- VOLTAGE: 300V DC

3	Cable Spec: $\{[(7/0.20\text{Tc}+\text{FM-PE}+\text{SKIN})^*1\text{P} + 7/0.20\text{Tc}+\text{AL}]^*4\text{P}+(7/0.20\text{Tc}+\text{HD-PE})^*1\text{P} + (7/0.20\text{Tc}+\text{HD-PE})^*5\text{C}+\text{AL}+24/12/0.10\text{Tc}\}^*1\text{C}$ OD:9.0mm Black PVC Jacket With Black +RED X TYPE PET BRAID
2	Connector Shell(Die-Cast Brass) Chrome Plated
1	HDMI Plug - Gold Plated
NO.	DESCRIPTION

CUSTOMER: Aavara	DATE	DRAWN	CHECKED	APPROVAL	Aavara Innovation Corp.	PRODUCT: HDMI PLUG BOTH END(GOLD)	PART No. :
	08/12/22	LDX					AS ABOVE
DOC No. :	UNIT: mm	SCALE: NO	REV: D				