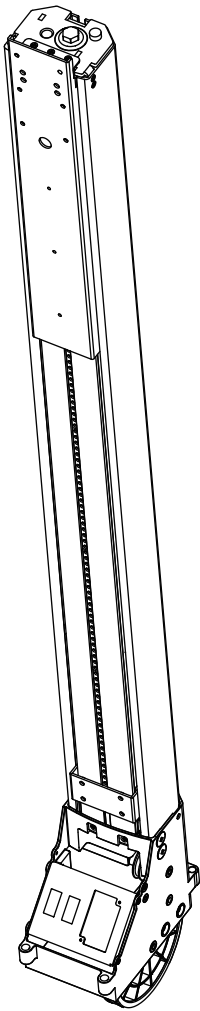
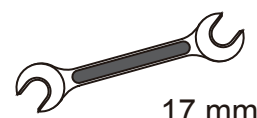
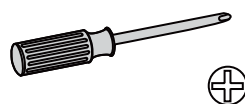


Enclosed Parts

包装零件 / Enclosed Parts / 梱包部品及びアクセサリ / Parties cloisonnées / Medföljande delar / 동봉한 부품
 Mitgelieferte Teile / Componentes suministrados / Peças incluídas / Załączane Części / Enclosed части / Parti incluse

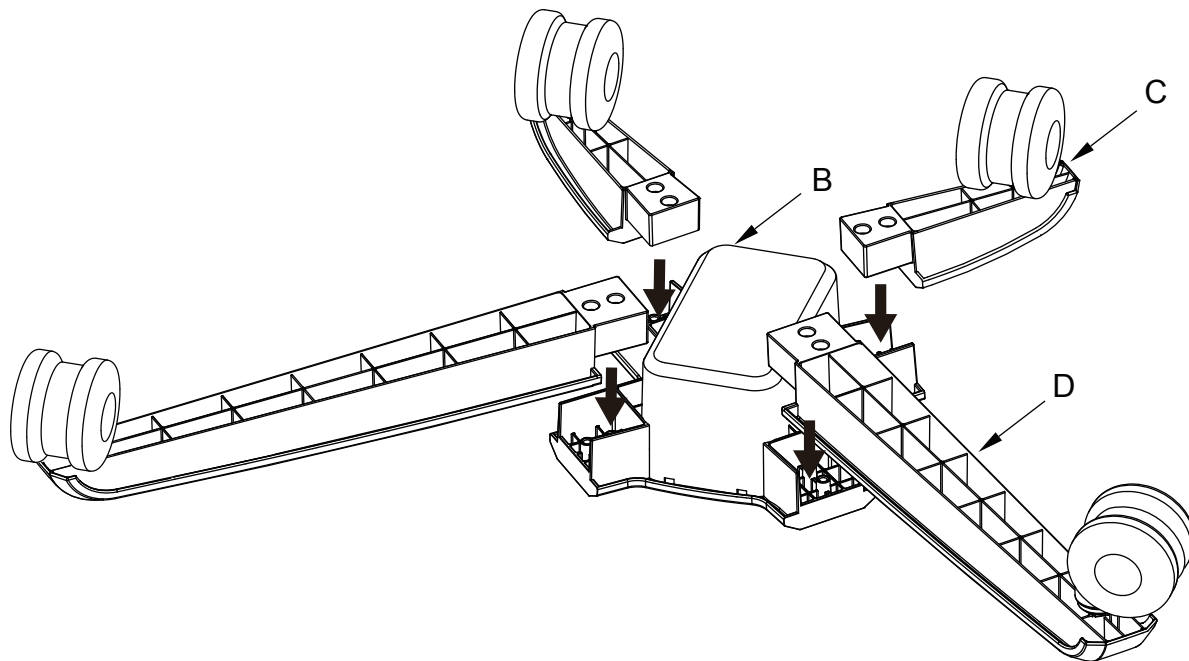
	A	B	C	D	
	E	F	G	H	
	I	J	K	L	
	M	N	O	P	
	Q	R			

需要的工具 / **Tools Needed** / 必要なツール /
Outils requis / Benötigte Werkzeuge /
Herramientas necesarias / Ferramentas necessárias /
Potrzebne narzędzia / 필요한 공구 / Необходими уреди /
Strumenti necessari / Verktyg som krävs

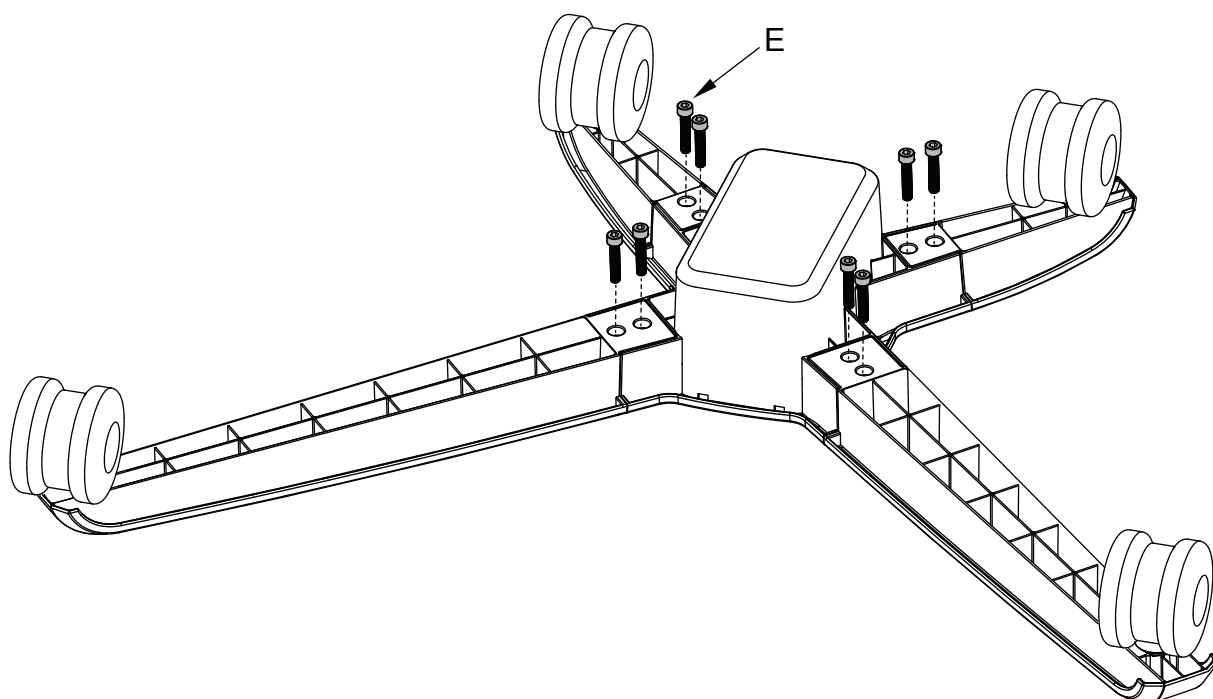


17 mm

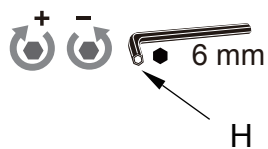
1-1



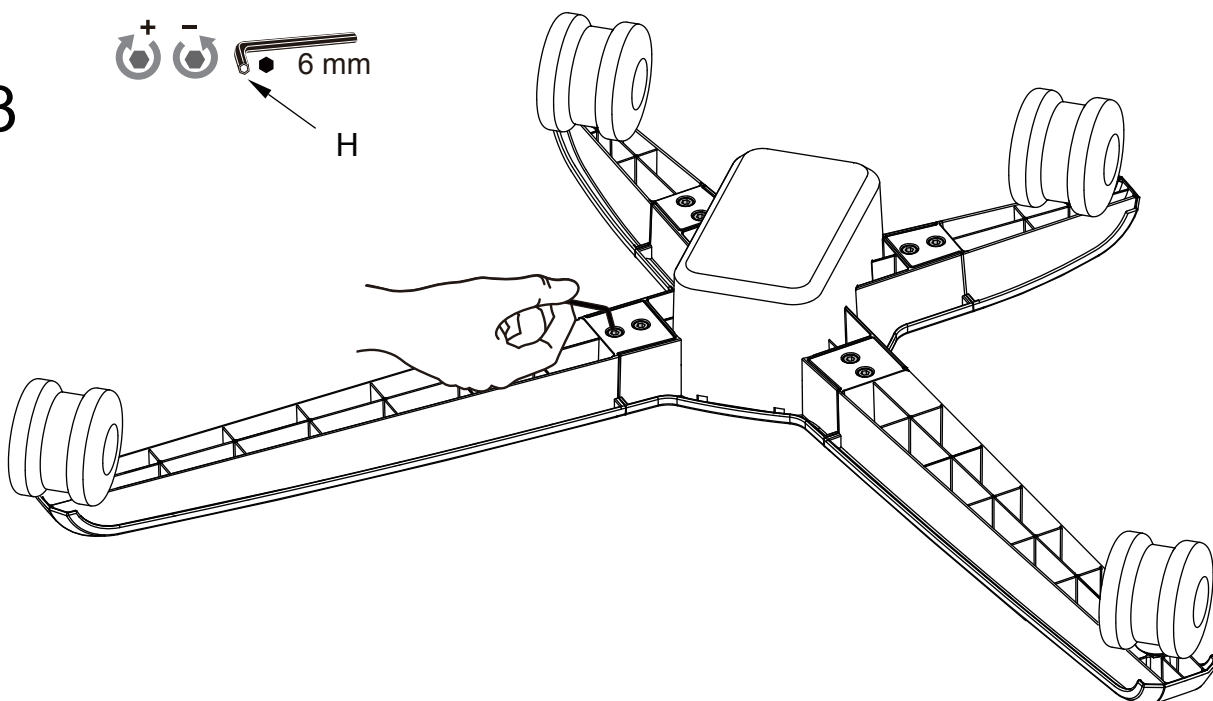
1-2



1-3



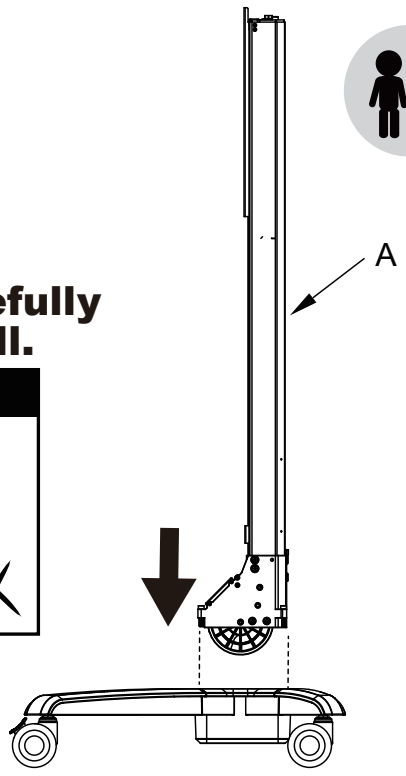
⚠ Lock



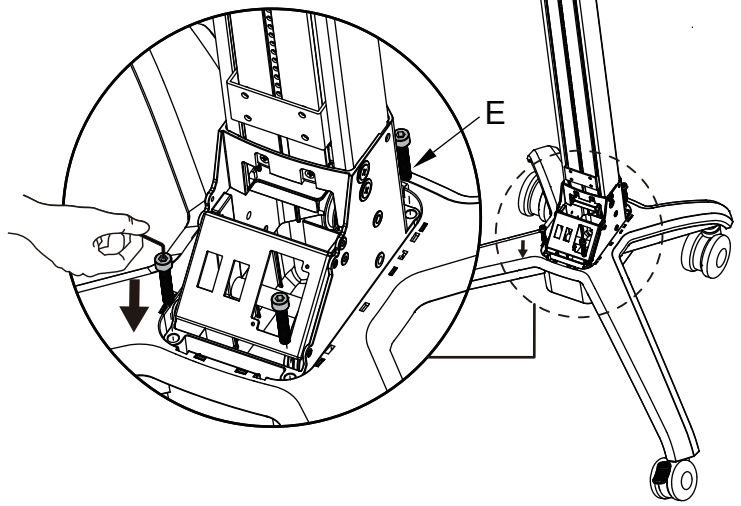
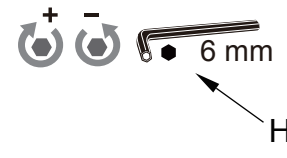
2-1



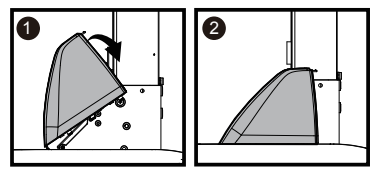
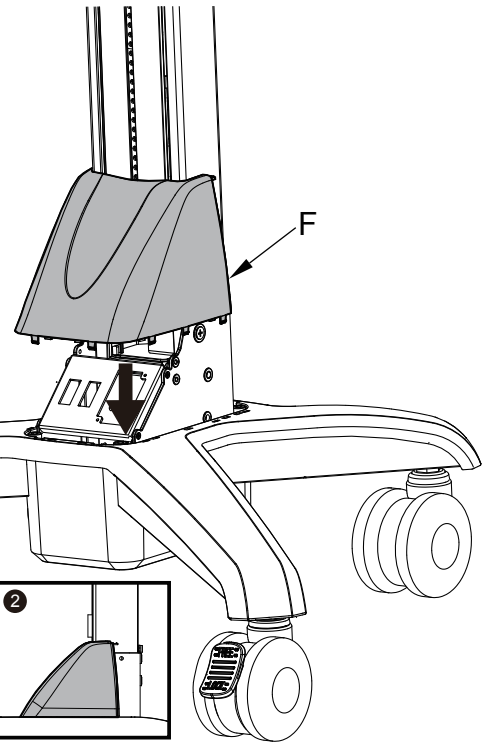
Hold Part(A) carefully when install.



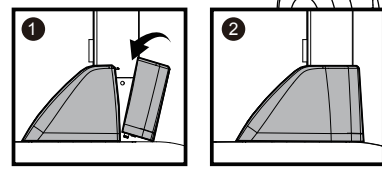
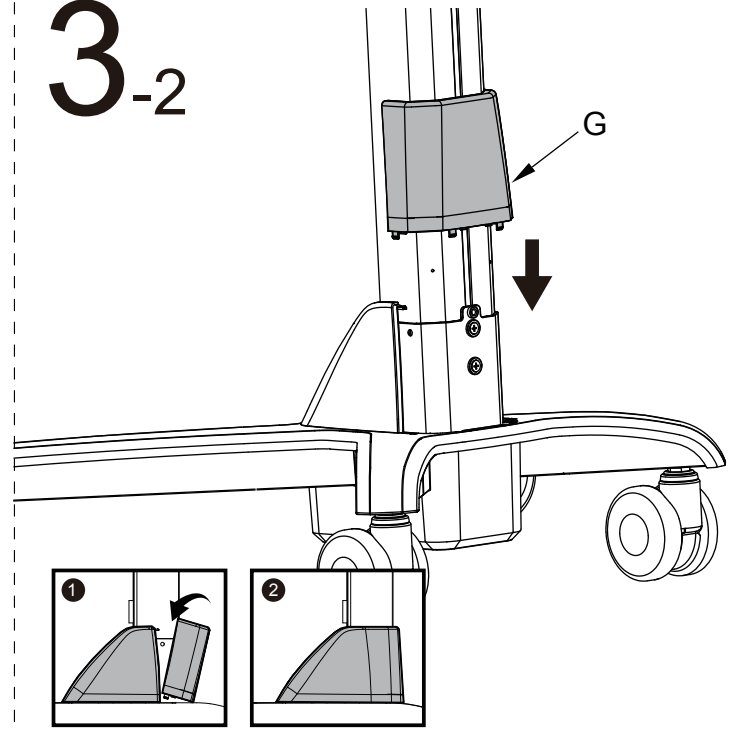
2-2



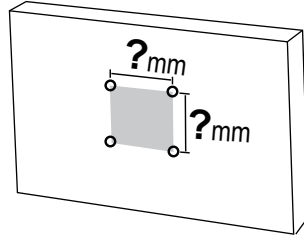
3-1



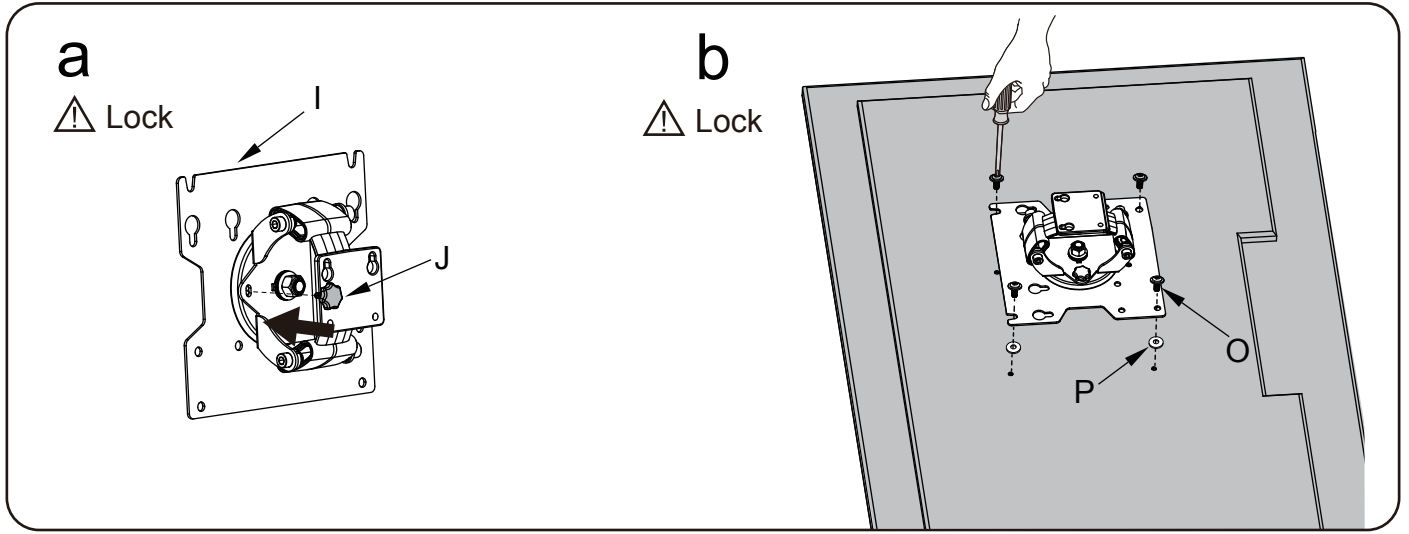
3-2



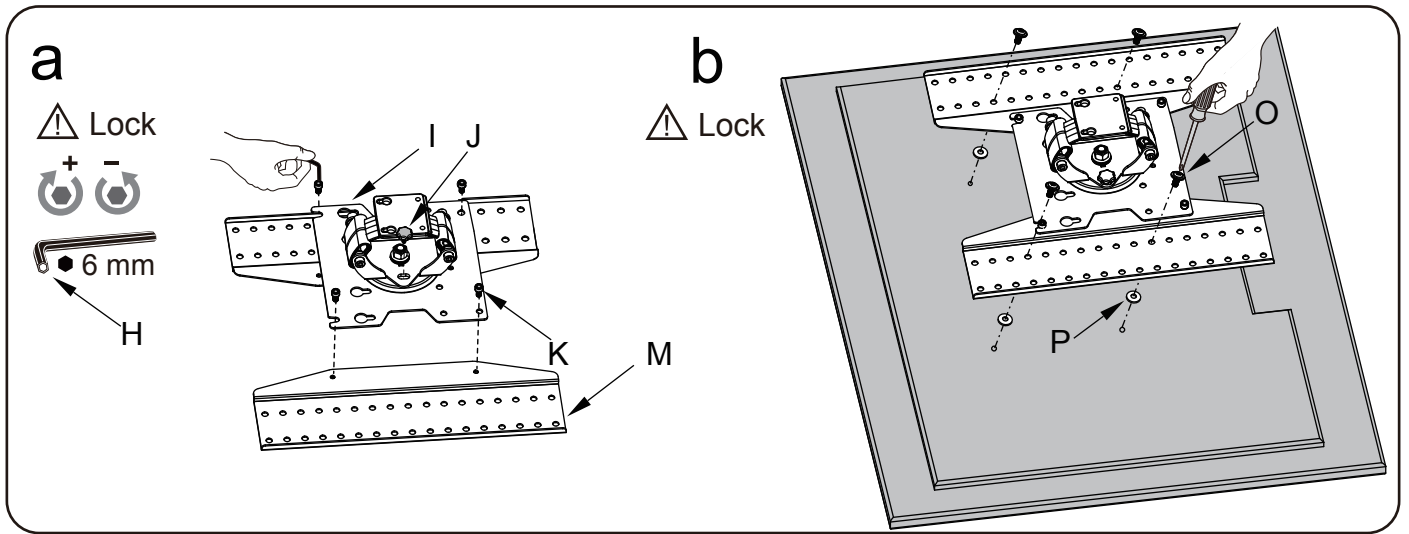
4



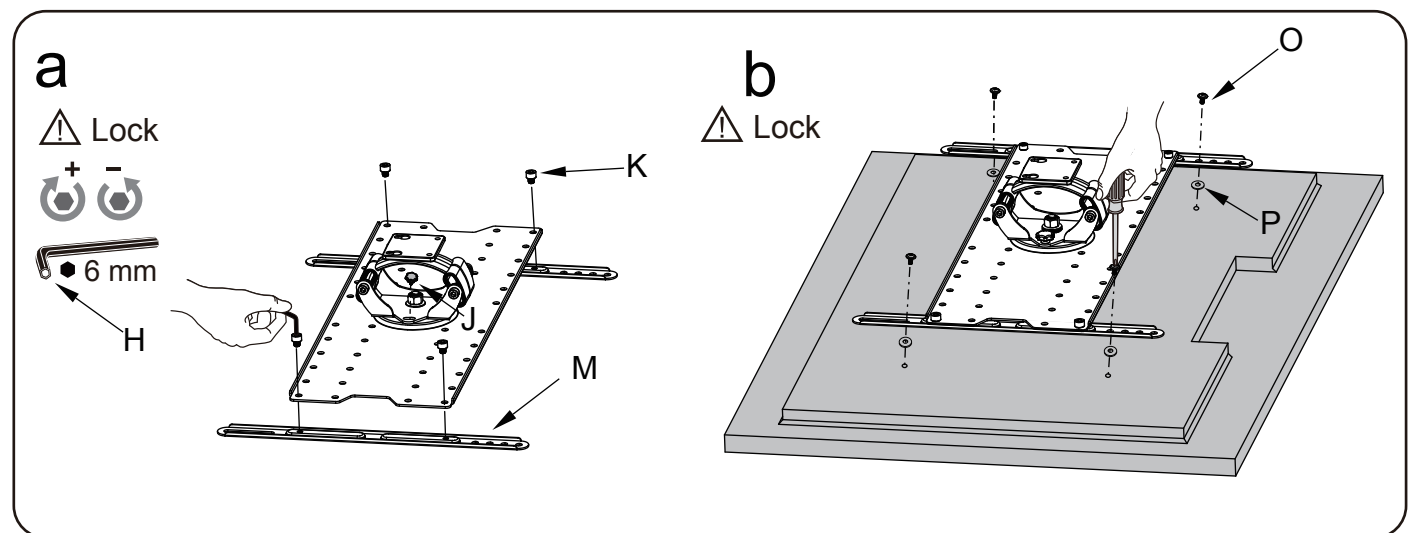
VESA : Max.200x200mm



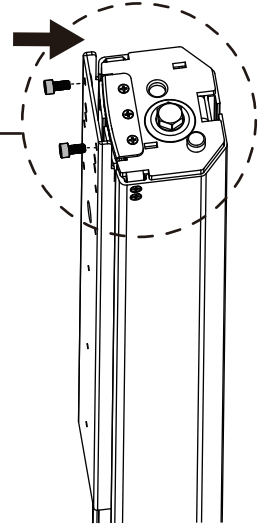
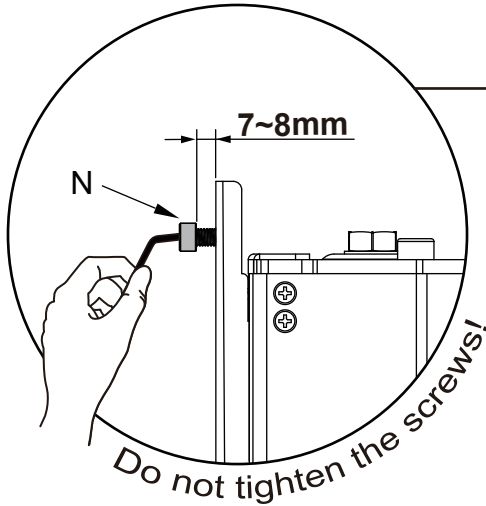
VESA : Max.400x400mm



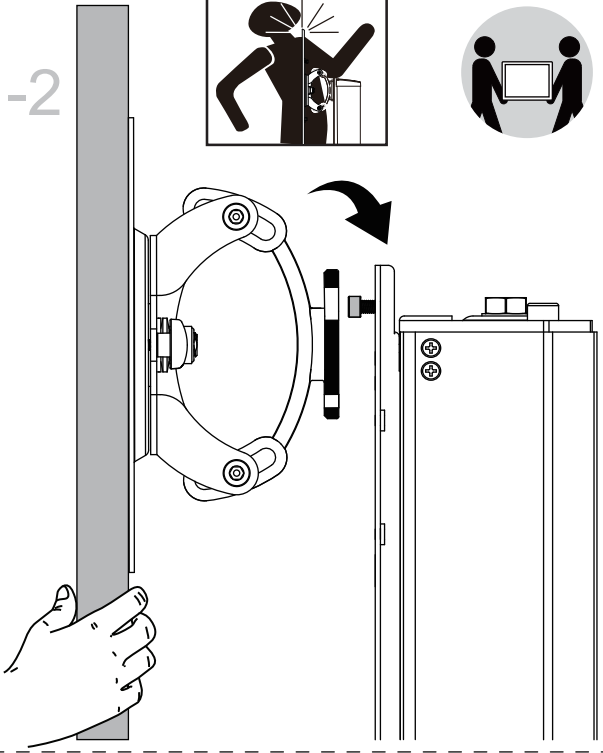
VESA : Max.600x400mm



5-1

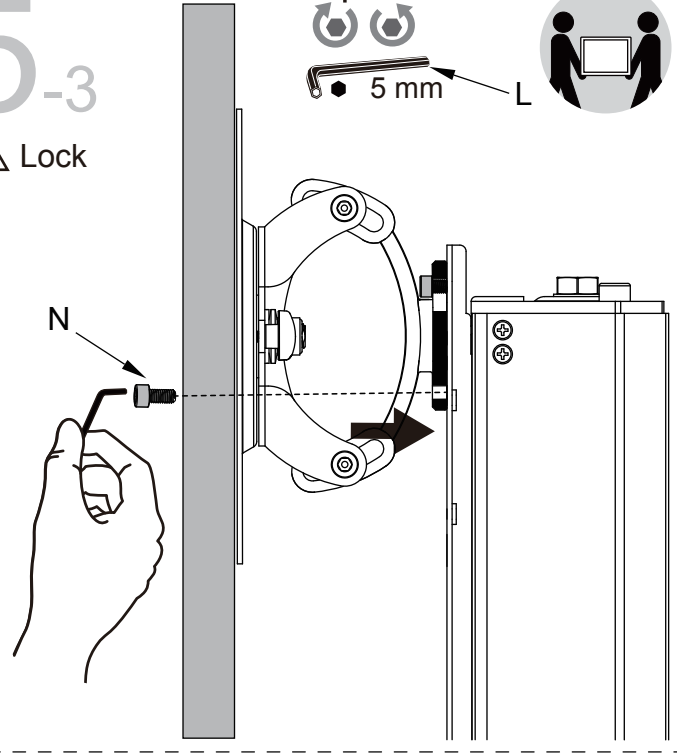
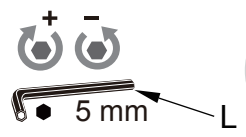


5-2

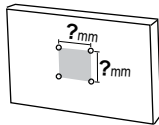


5-3

⚠ Lock

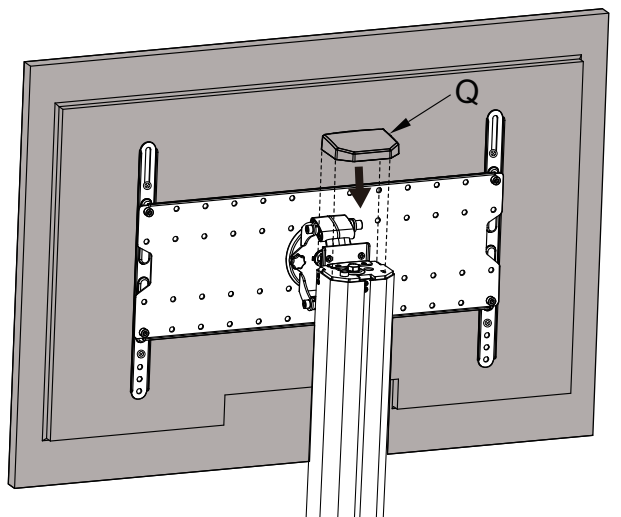
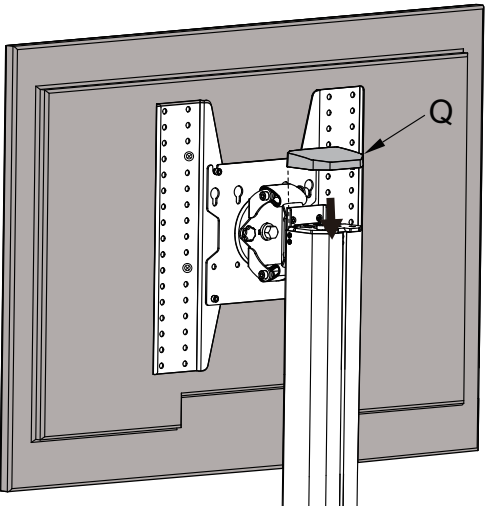


6

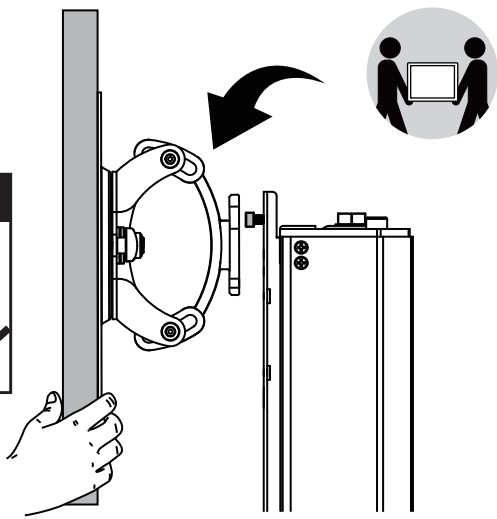


VESA : Max.400x400mm

VESA : Max.600x400mm

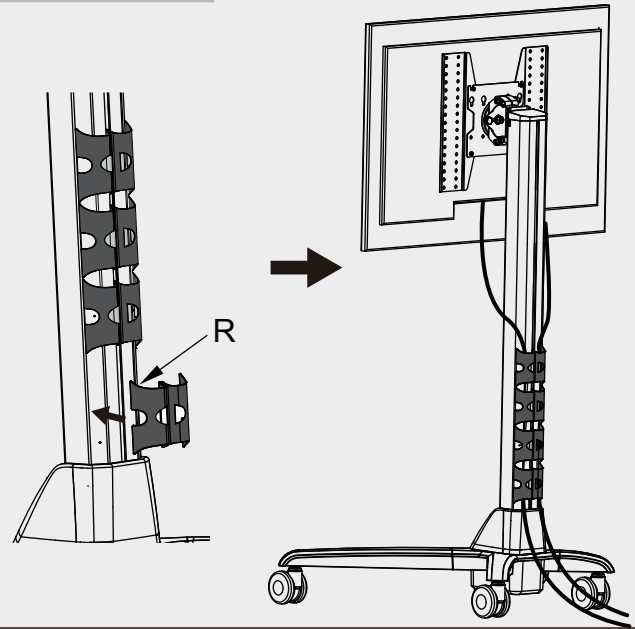


7 Uninstall

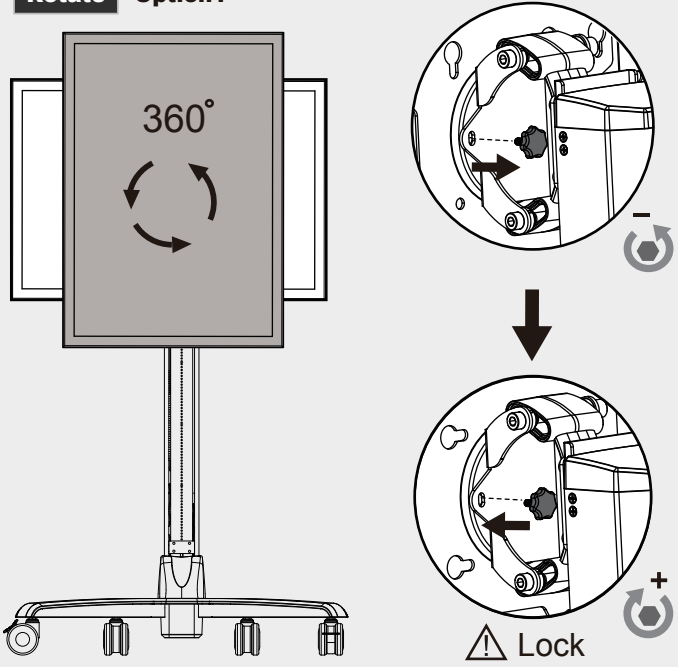


- 1. Always lift the screen to the top position before dismantling to prevent the rebound of the mounting bracket.
- 2. Failure to follow this instruction shall result serious personal injury or property damage.

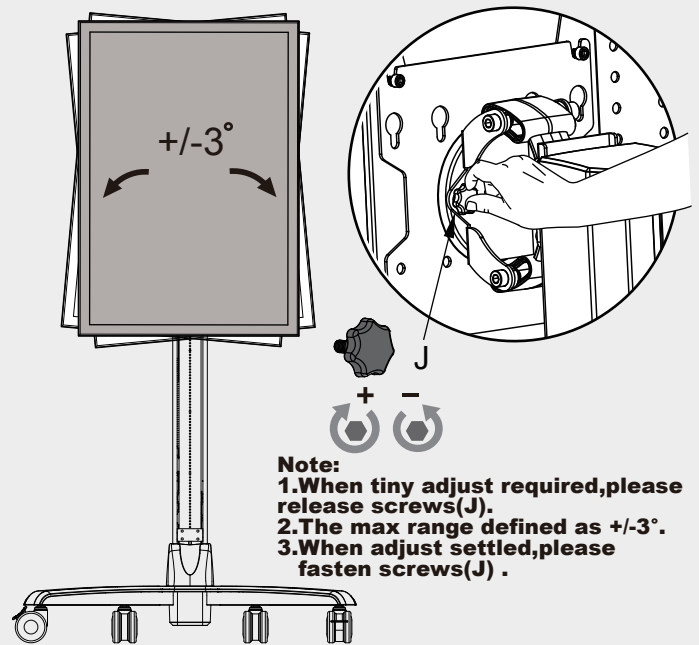
Cable Management Option Arrangement



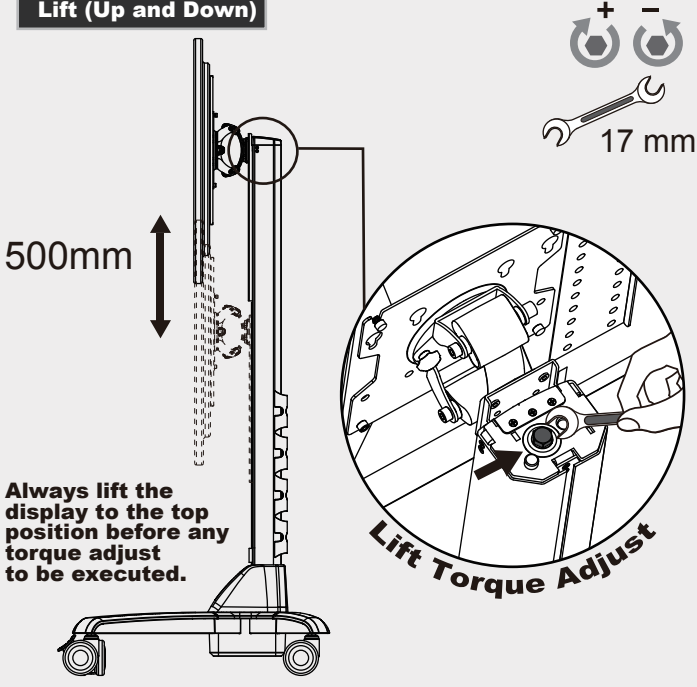
Rotate Option1



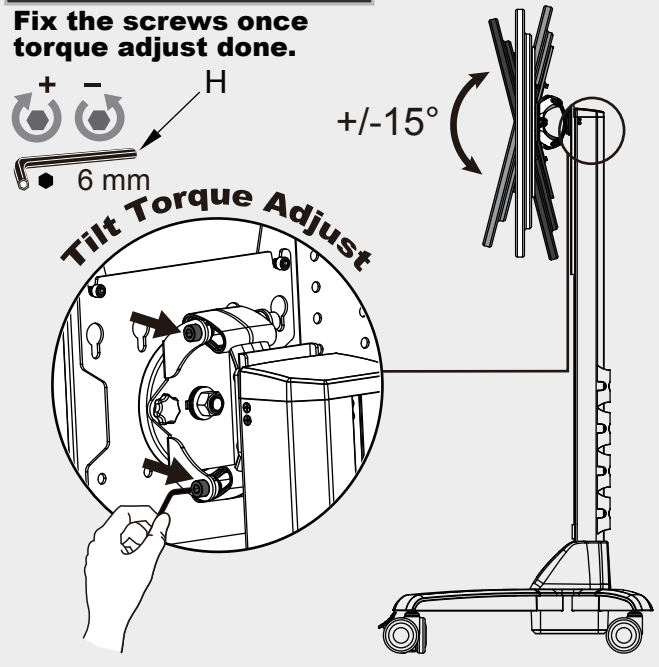
Rotate Option2 (Precise Adjust)



Lift (Up and Down)

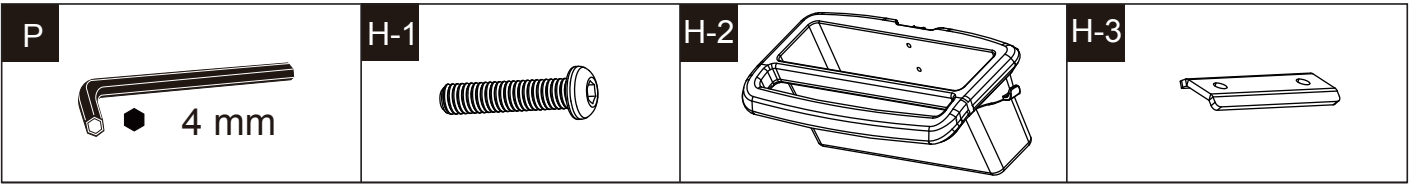


Tilt (Forward and Backward)



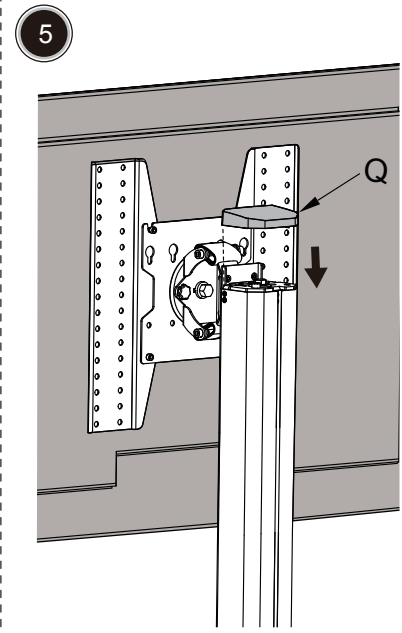
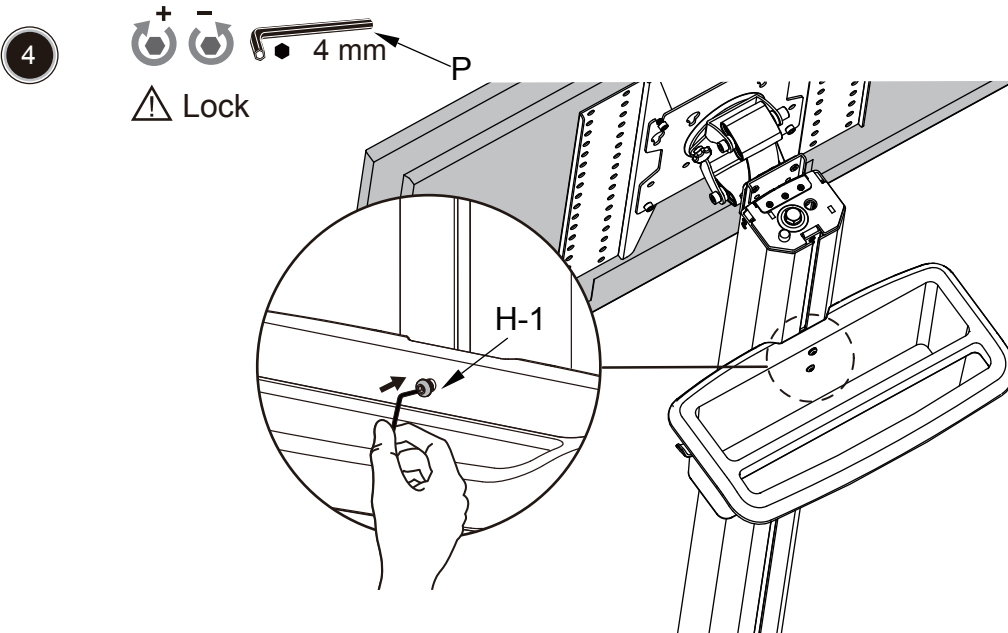
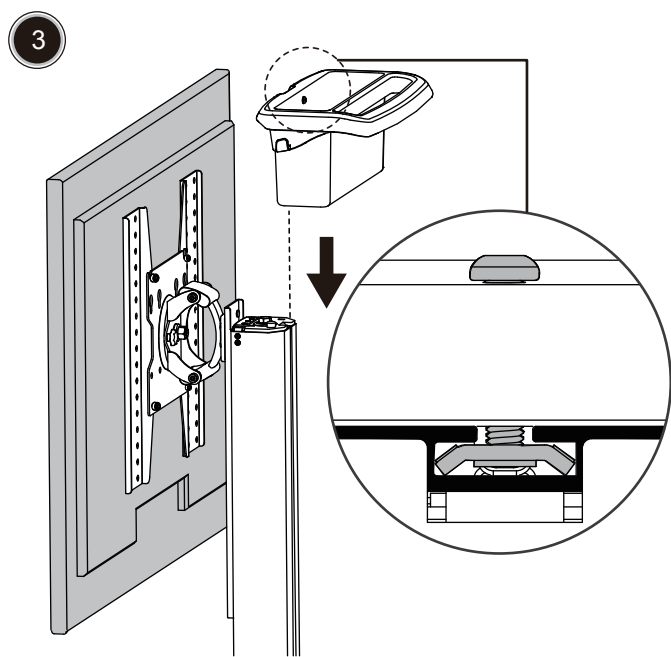
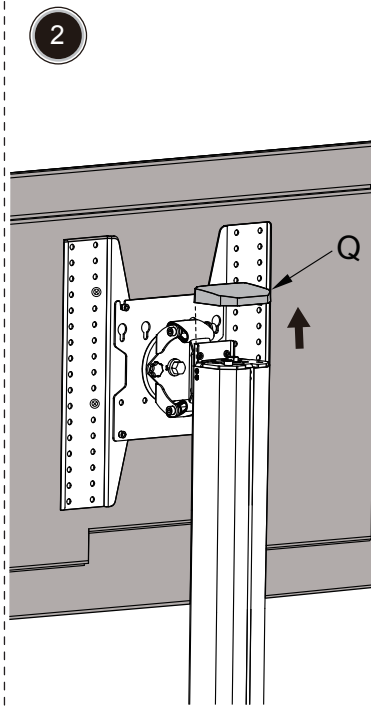
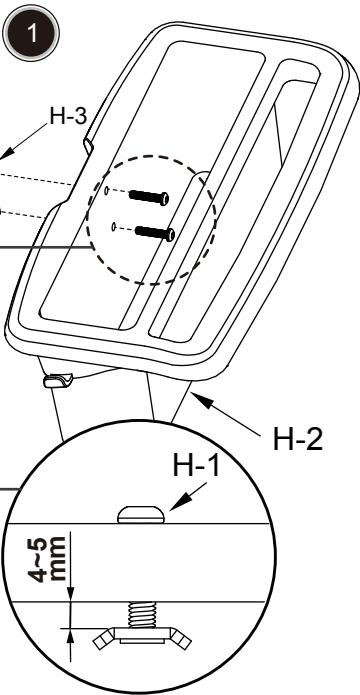
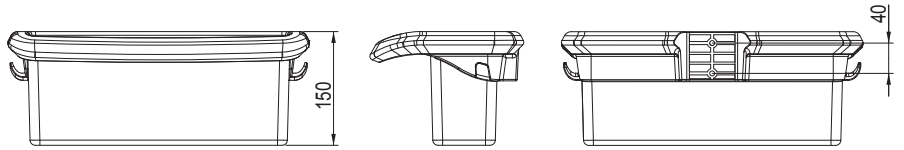
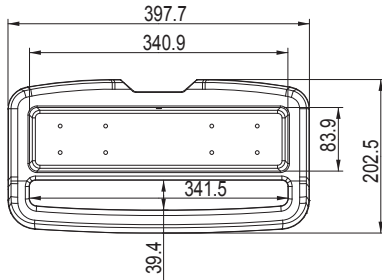
Accessory - Handle

Enclosed Parts



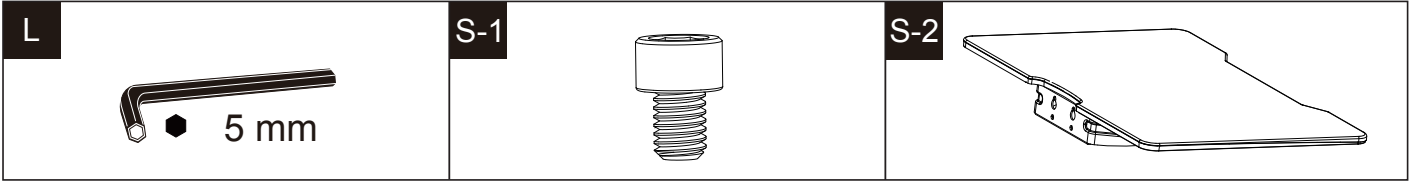
Physical Dimensions(mm)

 max.5 kg(11 lbs)




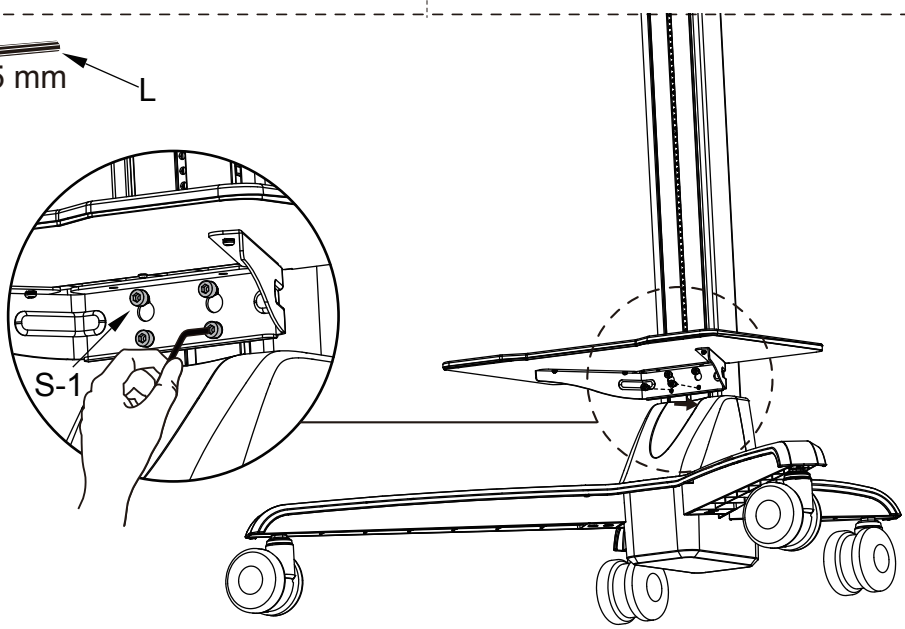
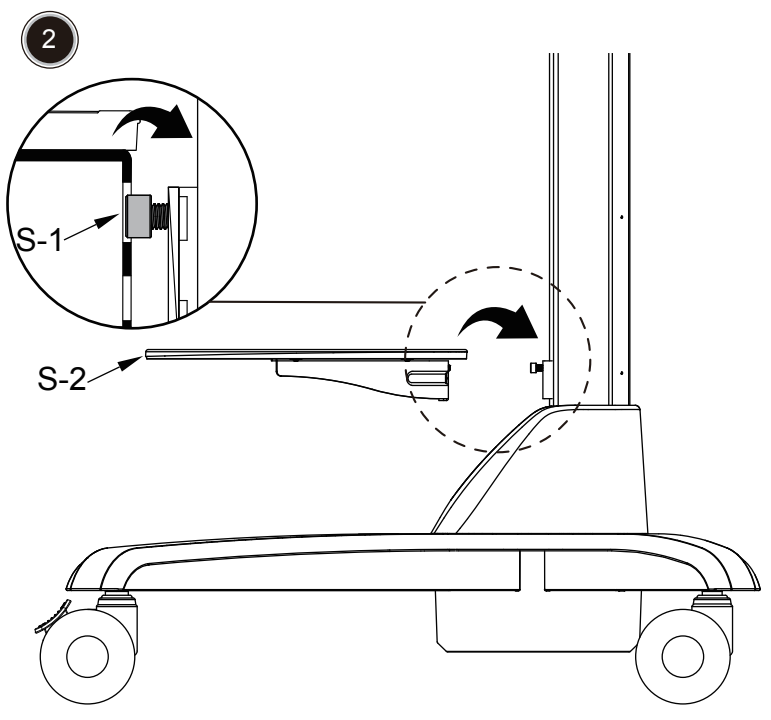
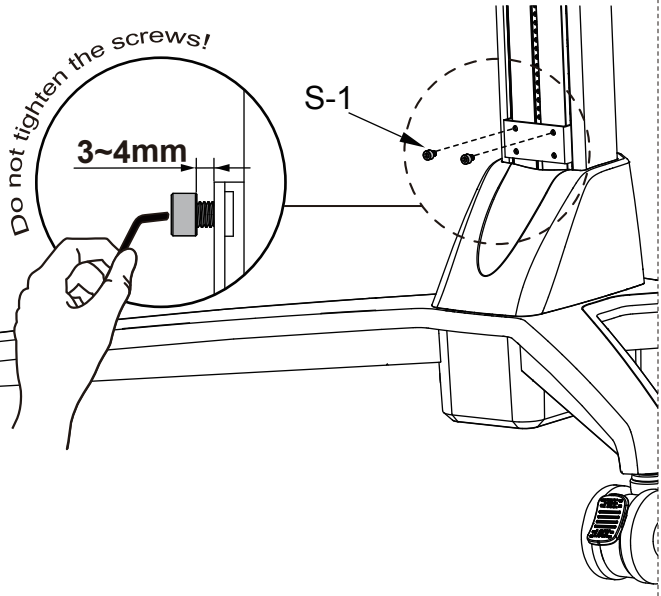
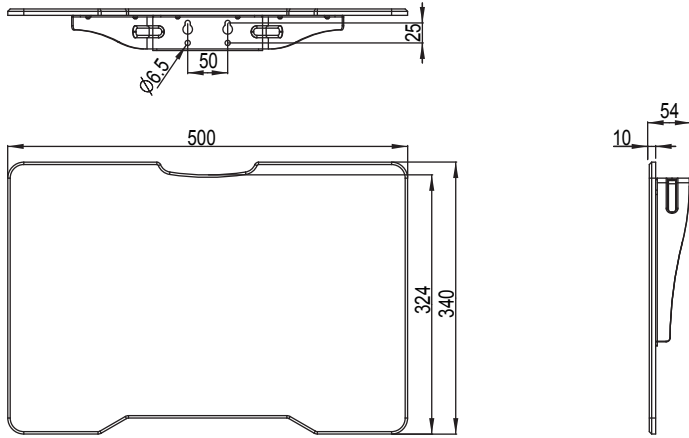
Accessory - Shelf

Enclosed Parts



Physical Dimensions(mm)

 max.15 kg(33 lbs)

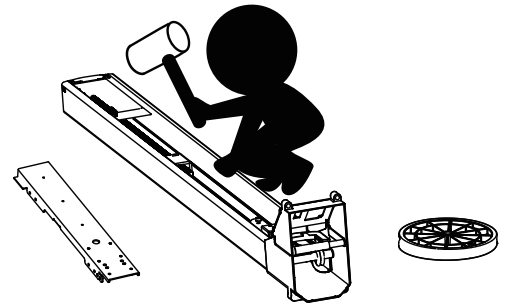


WARNING

STORED ENERGY HAZARD!

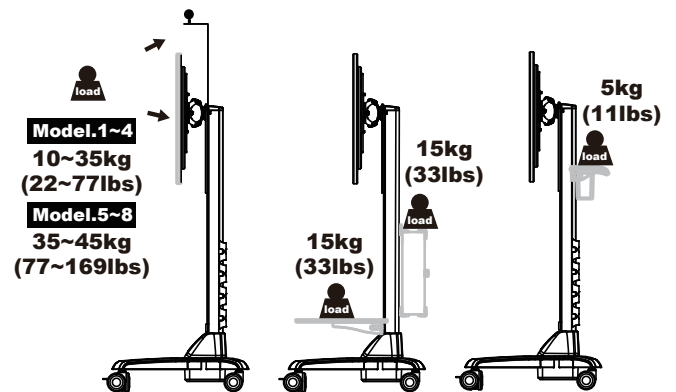
DO NOT OPEN TOWER OR REMOVE SAFETY GUARD!

A primary mechanism within the Lift is under tension and can be hazardous to people exposed to it under certain extreme conditions. DO NOT open the Lift; DO NOT attempt to service the cart/stand. DO NOT remove safety guards or labels designed to protect or inform of possible hazards. Failure to heed this Warning may result in serious Personal Injury and Damage both to the cart/stand and equipment.



WARNING

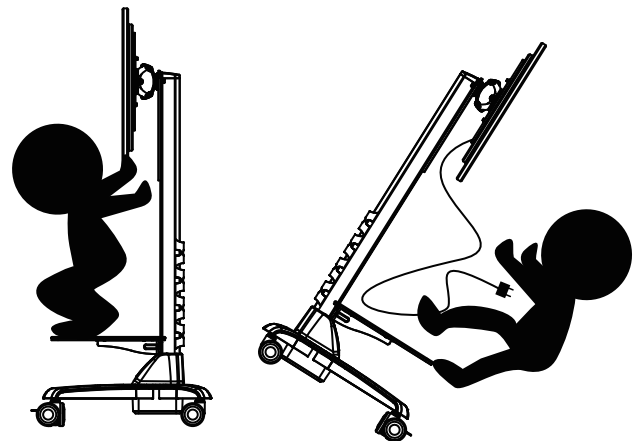
DO NOT load the Cart/Stand past maximum weight capacity. DO NOT mount a display larger than the recommended size. Failure to comply with warning may result in Cart/Stand instability leading to equipment damage or personal injury.



WARNING

TIPPING HAZARD!

DO NOT allow children on Cart / Stand.
DO NOT route electric cords or equipment cables within reach of children. LOCK CASTERS when Cart is still. Failure to comply with this warning may result in Cart / Stand instability leading to equipment damage or personal injury.



CAUTION

TIPPING HAZARD!

DO NOT move Cart with Display in highest position. DO NOT push Cart from front or back of Lift. DO NOT move Cart over cords or uneven, dirty, soft or sloping surfaces. DO NOT move Cart by pushing on Display. Failure to comply with this caution may result in Cart instability leading to equipment damage or personal injury.

